

Bimetal thermomanometer Eco

For pressure and temperature measurement

Model THM10

WIKA data sheet PM 01.24

Applications

- Heating systems
- Combi-boilers with hot water and heating

Special features

- Combined indication for pressure and temperature
- Scale ranges to 0 ... 10 bar, 0 ... 120 °C
- Shut-off valve included in delivery



Fig. left: THM10.063, lower mount (LM)

Fig. right: Shut-off valve

Description

The model THM10 thermomanometer combines the measurement of pressure and temperature in one instrument. This enables the control of both measurement parameters at one single measurement point. The built-in measuring elements - Bourdon tube and bimetal coil - provide for reliable measuring results.

By using the self-sealing shut-off valve, the measuring instrument can be dismantled at any time and without having to empty the heating circuit first. The bimetal thermomanometer is delivered with a shut-off valve as standard.

Specifications

Nominal size in mm

63, 80

Accuracy class

- Pressure: 2.5 (EN 837-1)
- Temperature: 2 (EN 13190)

Scale ranges

- Pressure: 0 ... 4 to 0 ... 10 bar
- Temperature: 0 ... 120 °C

Pressure limitation

$\frac{3}{4}$ x full scale value

Temperature measuring range

40 ... 80 °C

Storage and transport temperature

-20 ... +60 °C

Measuring elements

- Pressure: Bourdon tube, copper alloy
- Temperature: Bimetal coil

Process connection

Copper alloy, G $\frac{1}{4}$ B male

- Back mount (BM)
- Lower mount (LM)

Shut-off valve

Copper alloy, G $\frac{1}{4}$ female
R $\frac{1}{2}$ ISO 7 (male)

Case

Plastic, black

Movement

Copper alloy

Dial

Plastic, black, white lettering, indication of limit ranges by standard colour scale

Pressure scale position: Top

Temperature scale position: Bottom

Pointer

Pressure: Plastic, blue

Temperature: Plastic, red

Window

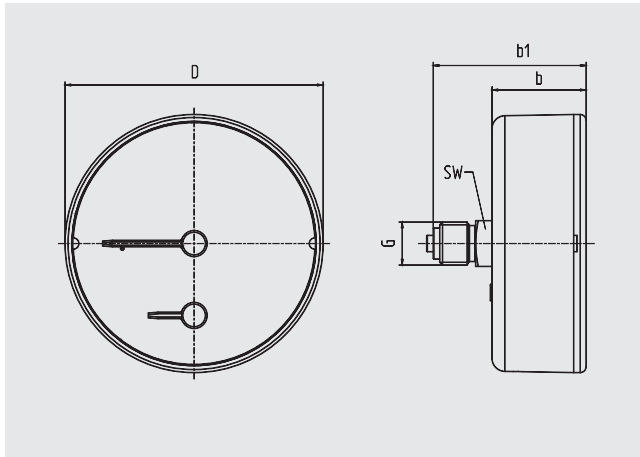
Plastic, crystal-clear, snap-fitted

Options

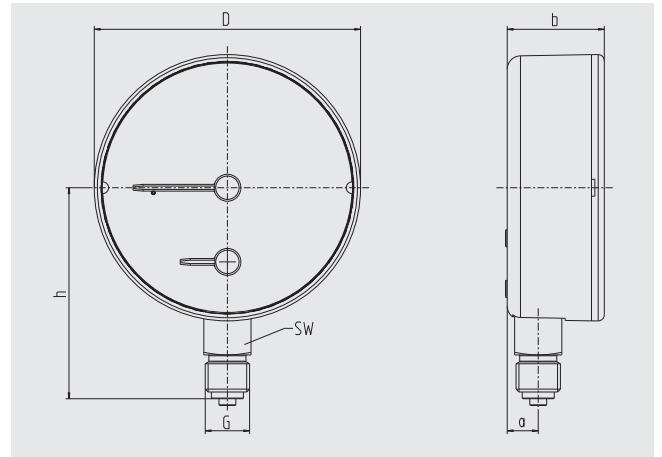
- Shut-off valve: Customer-specific process connections
- Other pressure and temperature units
- Window with red mark pointer
- White dial, black lettering, indication of limit ranges by standard colour scale

Dimensions

Back mount (BM)

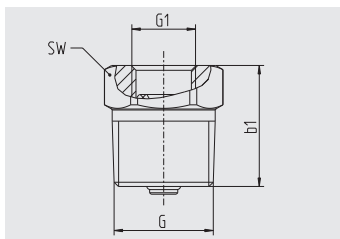


Lower mount (LM)



NS	Connection location	Dimensions in mm							Weight in kg
		b	b1	D	G	h	a	SW	
63	back mount	28	45.5	62	G ¼ B	-	-	14	0.088
63	lower mount	28	-	62	G ¼ B	51.5	10	14	0.088
80	back mount	29	47	79	G ¼ B	-	-	14	0.095
80	lower mount	29	-	79	G ¼ B	63	10	14	0.095

Shut-off valve



Dimensions in mm				Weight in kg
b1	G	G1	SW	
25	R ½ ISO 7	G ¼	22	0.044

Ordering information

Model / Nominal size / Pressure scale range / Connection location / Options

© 2016 WIKA Alexander Wiegand SE & Co. KG, all rights reserved.
The specifications given in this document represent the state of engineering at the time of publishing.
We reserve the right to make modifications to the specifications and materials.

